

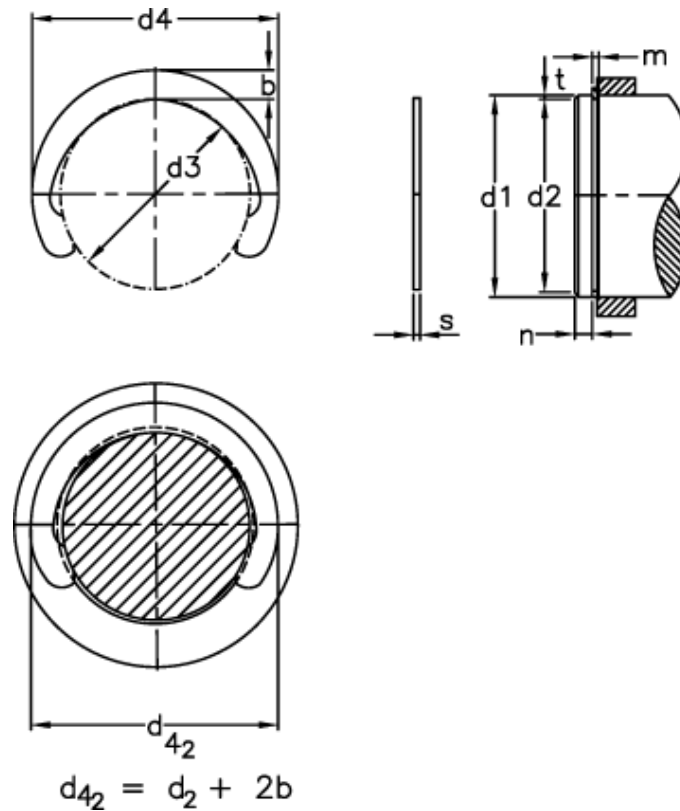
Data Sheet



Article number: 0118017A

Description: Retaining ring H 6 MK
Row of 250 ea.

Measures



b	= 1.30	FRg kN	= 1.1	t	= 0.50
d1	= 6	FR kN	= 1.65	tol	= -0.07
d2	= 5.0	g	= 0.70	tol	= 0.08
d3	= 4.80	Gripper	= GRH 6	tol	= -0.05
d4	= 7.40	m min	= 0.74	Weight kg/1000 = 0.11	
d4 2	= 7.6	n abl x 1000	= 80		
Description	= H 6,0	Nominal drive	= 1.5		
FN kN	= 0.72	s	= 0.70		